

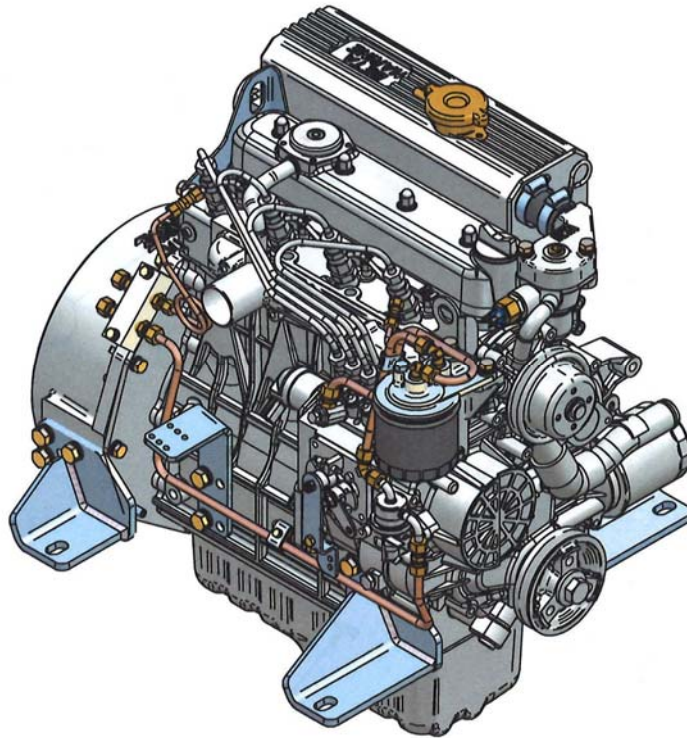


powering marine safety

Aabenraavej 13-17, DK - 6340 Krusaa, Denmark
Tel: +45 74 62 20 88
Fax +45 74 62 74 07
E-mail: bukh@bukh.dk – Internet: www.bukh.dk

Publ. No.

009Y1106

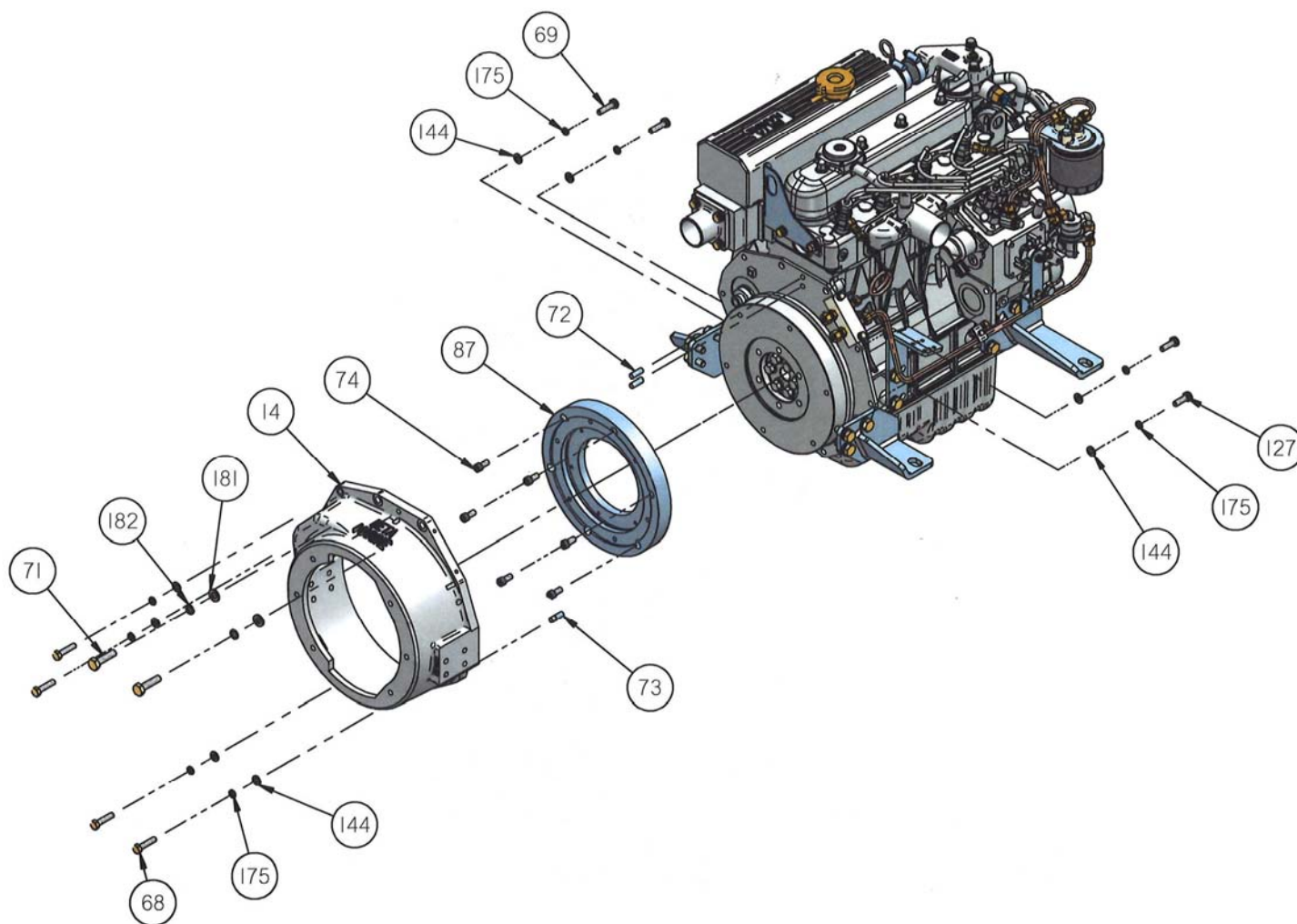


BUKH+BETA SOLAS EPA36 MARINE DIESEL ENGINE TYPE BBV1505

RESERVEDELSKATALOG
SPARE PARTS LIST
ERSATZTEILLISTE

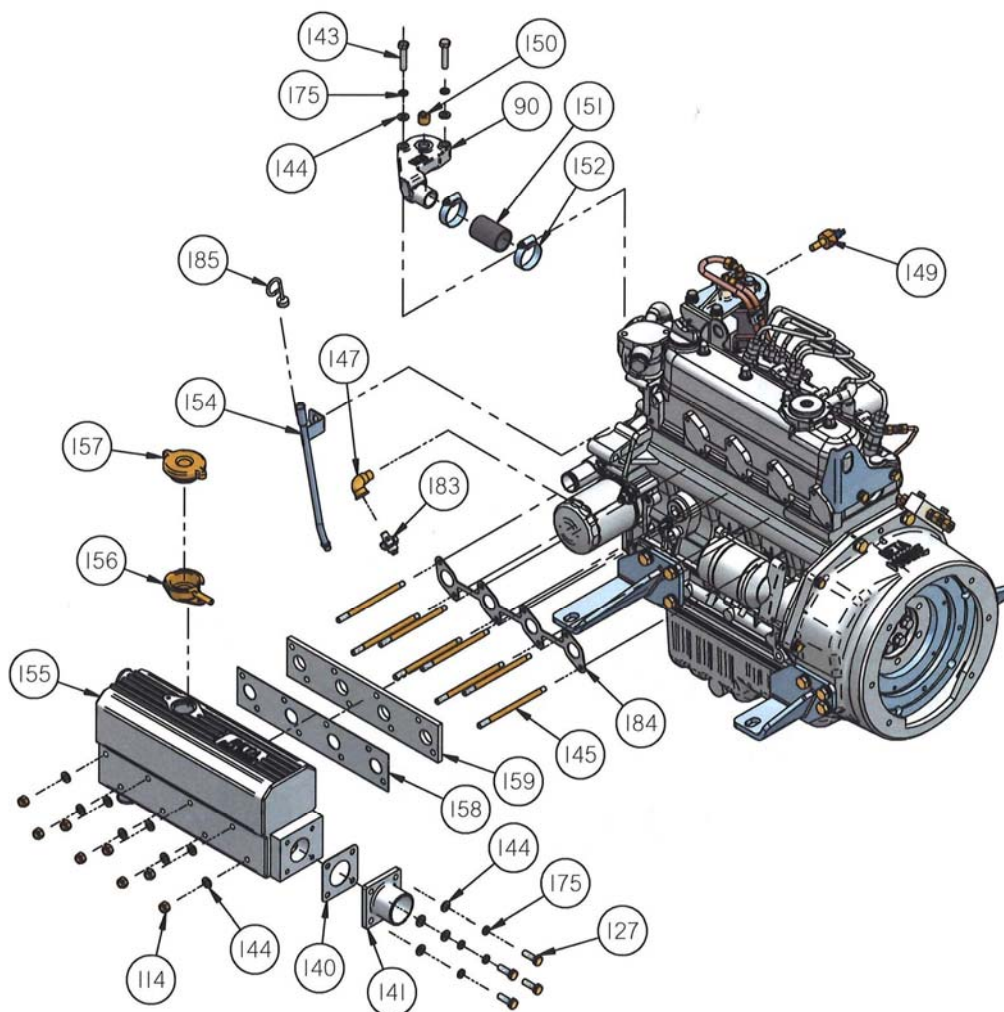
Indholdsfortegnelse
Contents
Inhaltsverzeichnis

Side Page Seite	Beskrivelse	Description	Benennung
3	Svinghjulshus	Flywheel housing	Schwungradgehäuse
4	Højdebeholder	Header tank	Hochbehälter
5	Motorophæng	Engine support	Motorbefestigung
6	Brændstoffforbindelser	Fuel connections	Brennstoffverbindungen
8	El-Starter og generator	Electric starter and alternator	El-Anlasser und generator
9	Luftfilter	Air inlet filter	Luftfilter
10	Betjeningspanel	Control panel	Bedienungstafel
11	Instrumentpanel	Instrument panel	Instrumententafel
12	Kubota basismotor	Kubota basic engine	Kubota Grundlage Motor



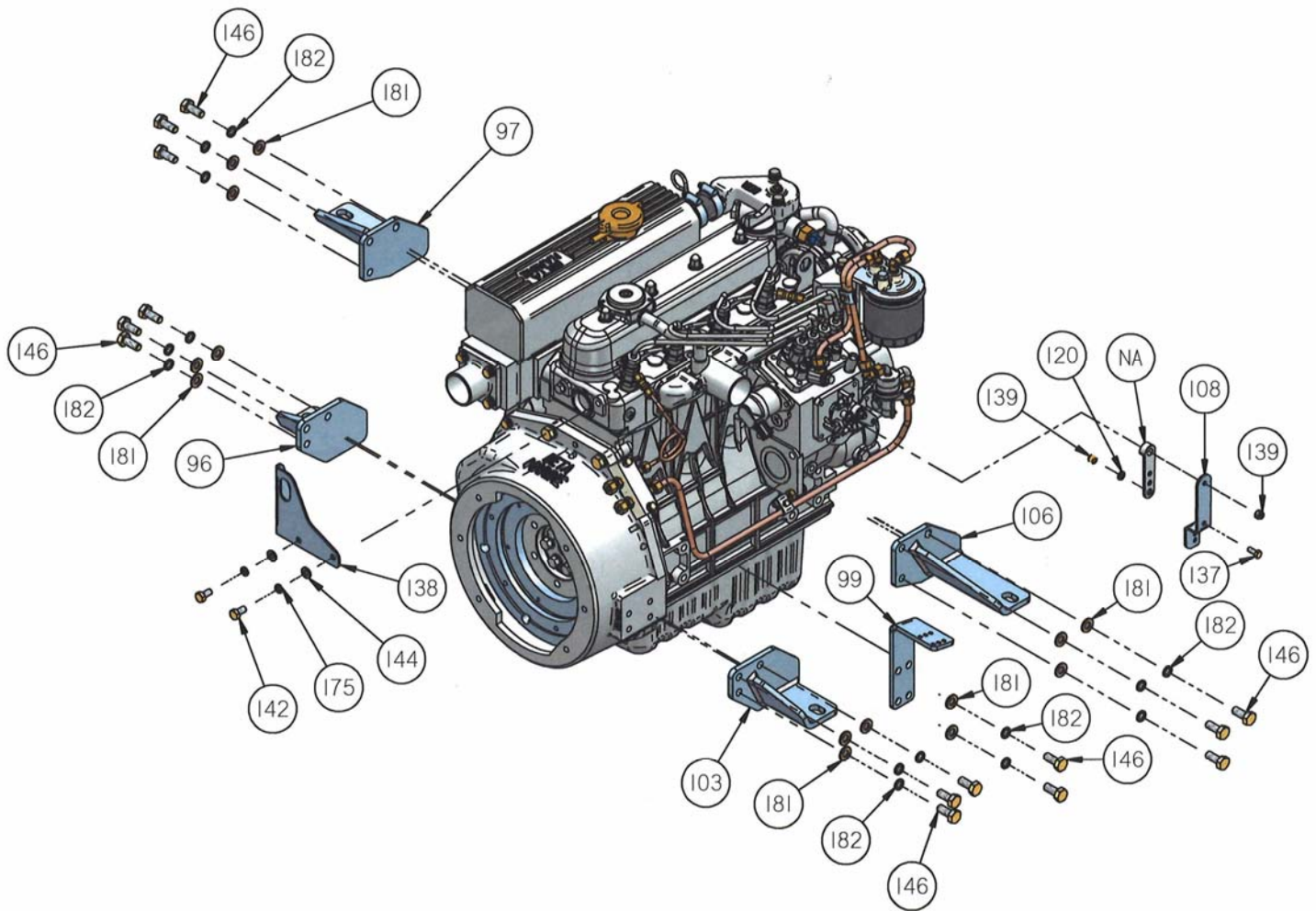
Svinghjulshus
Flywheel housing
Schwungradgehäuse

Pos.	Part No.	Qty.	Beskrivelse	Description	Benennung
14	208-85780	1	S5 Svinghjulshus	S5 Flywheel housing	S5 Schwungradgehäuse
68	217-99301	4	Sætskrue, M8x35	M8x35 Set Z&Y	Setzschraube, M8x35
69	217-99300	2	Sætskrue, M8x30	M8x30 Set Z&Y	Setzschraube, M8x30
71	217-99330	2	M10x40x1,25 Bolt	M10x40x1.25 Bolt	M10x40x1,25 Bolzen
72	217-99317	2	M8x24 Dyvel	M8x24 Dowel	M8x24 Dübel
73	217-00744	1	Pasbolt, S 5 Svinghjul HSG	Location bolt , S 5 Flywheel HSG	Paßbolzen, S 5 Schwungrad HSG
74	217-99309	6	Unbrakoskrue M8x16	M8x16 Caphead	Unbracoschraube M8x16
87	202-01383	1	Super 5 Inertiring	Super 5 Inertia ring	Super 5 Schwungscheibe
127	217-99299	4	Maskinskrue M8x25	M8x25 Screw	Sechskantschraube M8x25
144	217-99293	6	M8 Spændeskive	M8 Flat washer	M8 Unterlegscheibe
175	217-99292	8	M8 Fjederskive	M8 Spring washer	M8 Federscheibe
181	217-99321	2	M10 Spændeskive	M10 Flat washer	M10 Unterlegscheibe
182	217-99320	2	M10 Fjederskive	M10 Spring washer	M10 Federscheibe



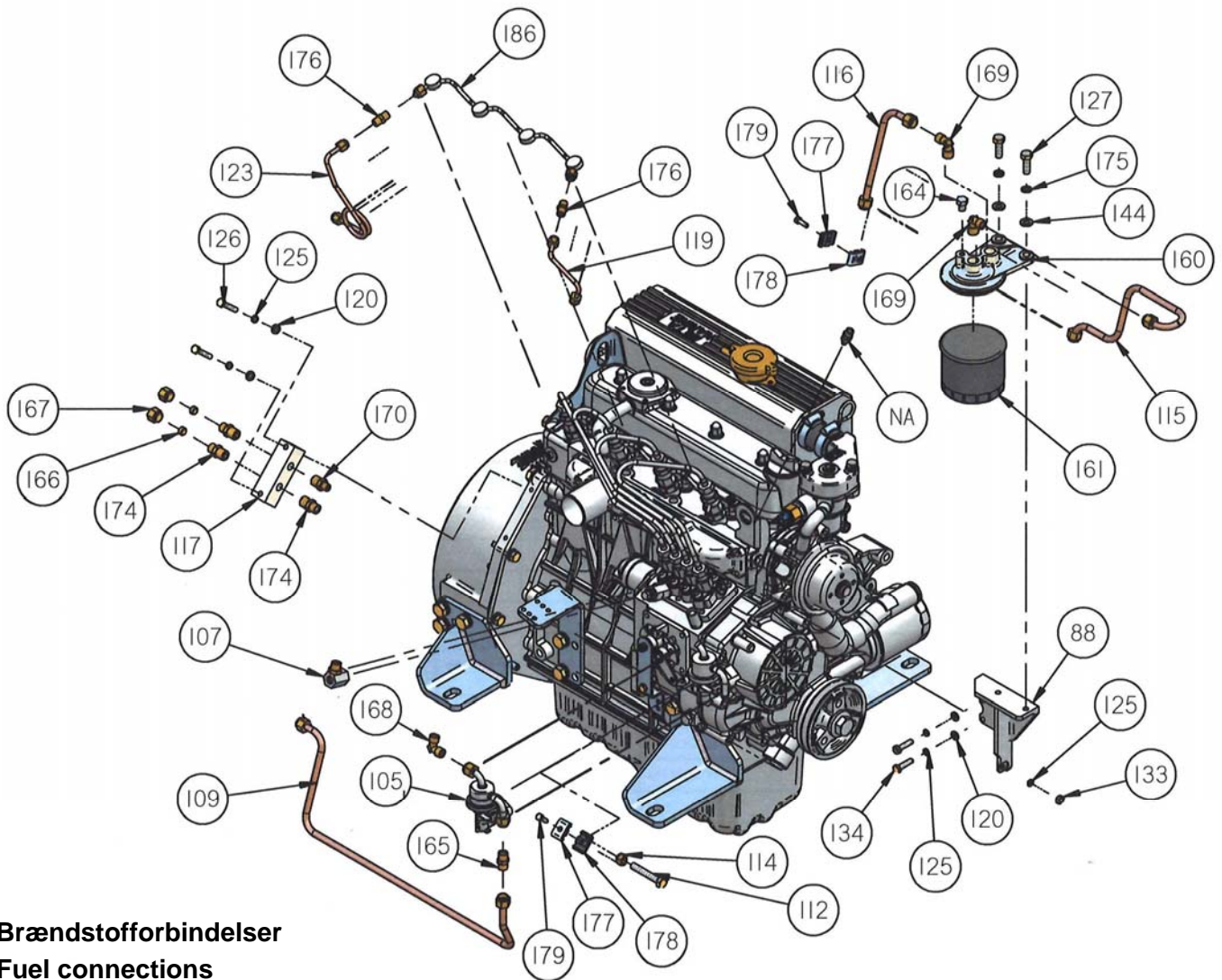
**Højdebeholder
Header tank
Hochbehälter**

Pos.	Part No.	Qty.	Beskrivelse	Description	Benennung
90	209-01789	1	Super 5 Termostathus	Super 5 Thermostat housing	Super 5 Thermostatengehäuse
114	217-99296	8	M8 selvslående møtrik	M8 Nyloc Z&Y	M8 Selbstver. Mutter
127	217-99299	4	Maskinskruer M8x25	M8x25 Screw	Sechskantschraube M8x25
140	600-62620	1	1½"RG Udstødningspakning	1½"BSP Exhaust gasket	1½"RG Auspuffdichtung
141	202-61350	1	1½"RG Udstødningsflange	1½"BSP Exhaust flange	1½"RG Auspuffflansch
143	217-99302	2	Sætskrue, M8x40	M8x40 Set Z&Y	Setzschraube, M8x40
144	217-99293	14	M8 Spændeskive	M8 Flat washer	M8 Unterlegscheibe
145	201-62110/01	8	Super5 kort manifold tapskrue	Super5 short manifold stud	Super5 Kurzes Vert.rohr Stiftschraube
147	212-04355	1	1/8"RG MxF 90° Vinkel	1/8"BSP MxF 90° Elbow	1/8"RG MxF 90° Winkel
149	200-01133	1	Temperaturgiver SW/SNO 95C	Fozmula water tempSW/SNO 95C	Temperaturgeber SW/SNO 95C
150	212-99403	1	3/8"RG Galv prop	3/8"BSP Galv plug	3/8"RG Galv Pfropfen
151	218-99251	1	1 1/8" - 28 mm Slange	1 1/8" - 28 mm Hose	1 1/8" - 28 mm Schlauch
152	212-00066	2	S/S Spændebånd 30-40 mm	S/S Hose clip 30-40 mm	S/S Klemmbånd 30-40 mm
154	600-96310	1	S5 Langt pejlestoksrør	S5 Long dipstick hose	S5 Langes Peilstabrohr
155	209-01306	1	BV1505 Højdebeholder	BV1505 Keel cooled header tank	BV1505 Hochbehälter
156	209-02167	1	Påfyldningsstuds	Tank filler neck	Füllungsstutzen
157	209-02323	1	Trykvakuumentil, 13 PSI	13 PSI Water cap	Entlastungsvakuumentil, 13 PSI
158	209-01306-P	1	Pakningsplade	S5 4CLY Gasket plate	Dichtungsplatte
159	212-05280/1505	1	Pakning for højdebeholder	S5 4CLY Tank gasket	Dichtung für Hochbehälter
175	217-99292	6	M8 Fjederskive	M8 Spring washer	M8 Federscheibe
183	600-62670	1	Olietrykskontakt	Oil pressure switch	Öldruckschalter
184	600-80330	1	S5 4CLY Udstødningspakning	S5 4CLY Exhaust gasket	S5 4CLY Auspuffdichtung
185	600-96300	1	S5 Lang pejlestok	S5 Long dipstick	S5 Langes Peilstab



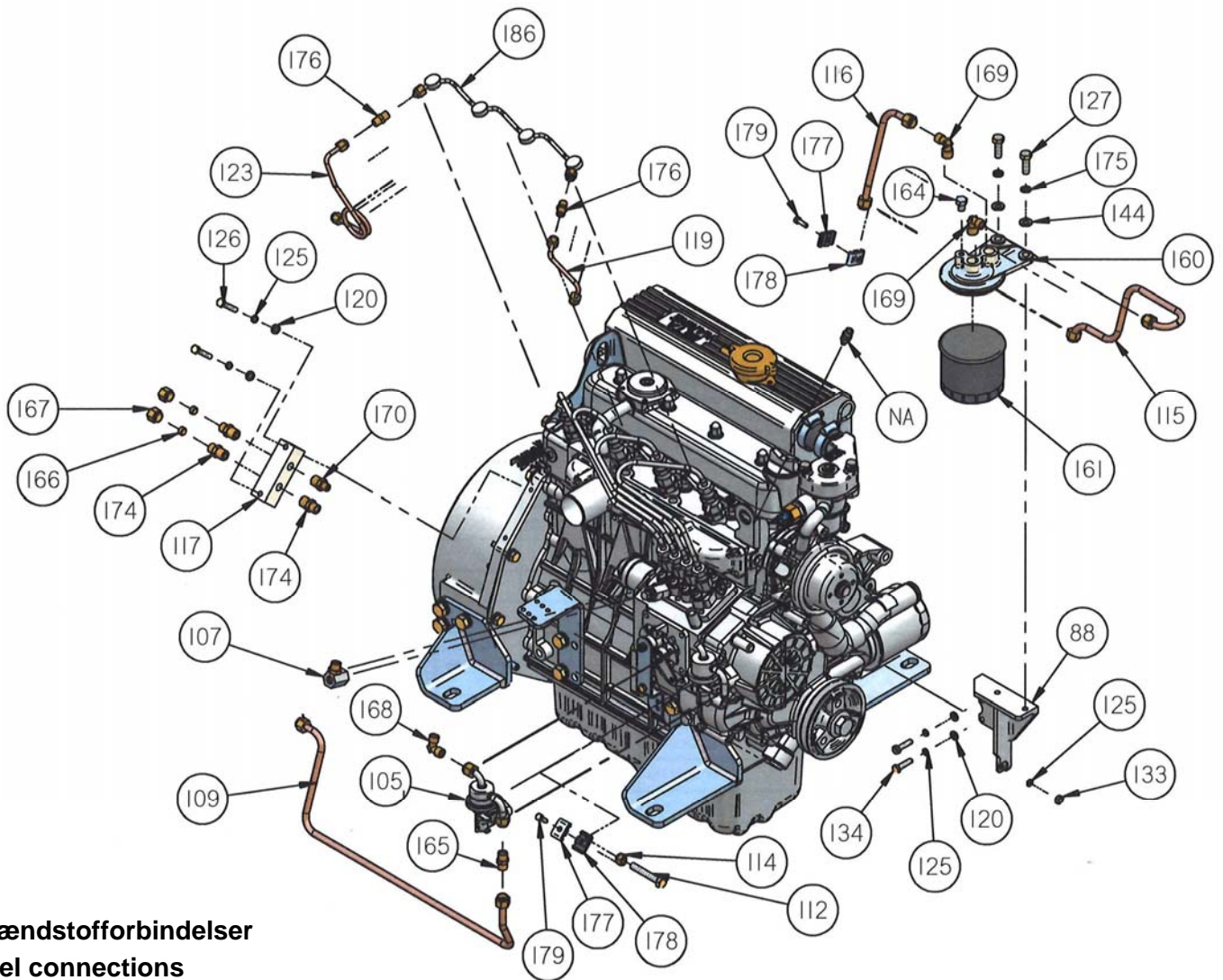
**Motorophæng
Engine support
Motorbefestigung**

Pos.	Part No.	Qty.	Beskrivelse	Description	Benennung
96	202-07252RP	1	Bagerste motorophæng, BB	Engine support, PS rear	Hinterer Motorbefestigung, BB
97	202-07252FP	1	Forreste motorophæng, BB	Engine support, PS front	Vorderer Motorbefestigung, BB
99	202-01769	1	Konsol for fjernbetjening	Super 5 Speed Morse control	Konsole für Fernbedienung
103	202-07252RS	1	Bagerste motorophæng, SB	Engine support, SB rear	Hinterer Motorbefestigung, SB
106	202-07252FS	1	Forreste motorophæng, SB	Engine support, SB front	Vorderer Motorbefestigung, SB
108	202-01722	1	Reguleringshåndtag	Super 5 Speed control lever	Regelhandgriff
120	217-99276	1	M6 Spændeskive	M6 Flat washer	M6 Unterlegscheibe
137	217-99280	1	Sætskrue, M6x16	M6x16 Set Z&Y	Setzschraube, M6x16
138	202-07115	1	S5 Bagerste løftebeslag	S5 Rear lifting eye	S5 Hintere Aufhängeöse
139	217-99278	2	M6 selvlåsende møtrik	M6 Nyloc Z&Y	M6 Selbstver. Mutter
142	217-99297	2	Sætskrue, M8x16	M8x16 Set Z&Y	Setzschraube, M8x16
144	217-99293	6	M8 Spændeskive	M8 Flat washer	M8 Unterlegscheibe
146	217-99329	14	Sætskrue, M10x25x1,25	M10x25x1.25 Set Z&Y	Setzschraube, M10x25x1,25
175	217-99292	2	M8 Fjederskive	M8 Spring washer	M8 Federscheibe
181	217-99321	14	M10 Spændeskive	M10 Flat washer	M10 Unterlegscheibe
182	217-99320	14	M10 Fjederskive	M10 Spring washer	M10 Federscheibe



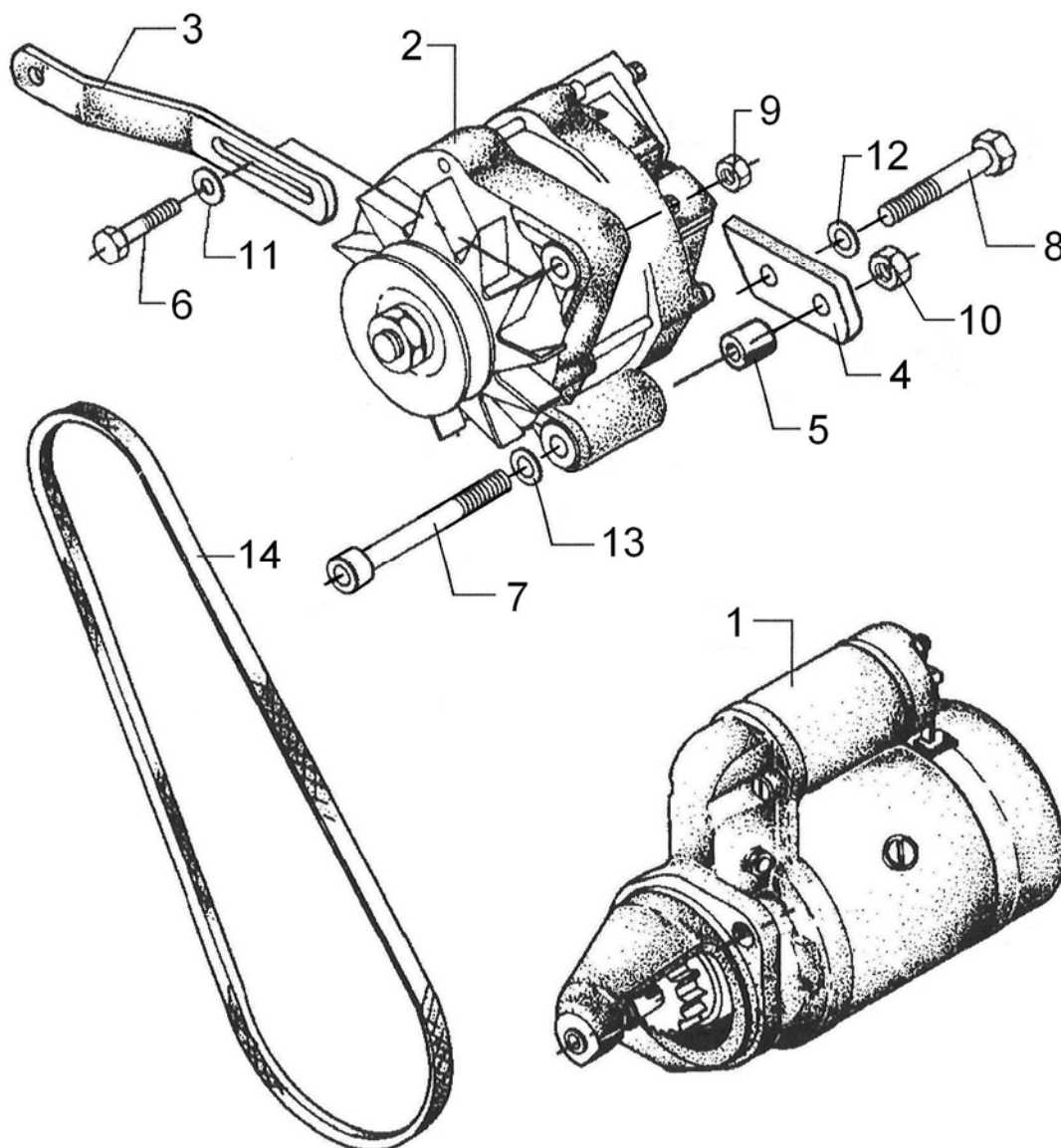
Brændstofforbindelser
Fuel connections
Brennstoffverbindungen

Pos.	Part No.	Qty.	Beskrivelse	Description	Benennung
88	202-62160	1	S5 Std HE	S5 Std HE	S5 Std HE
95*	201-02318	1	Aftapningsprop, ¼"RG	Sump drain plug, ¼"BSP	Entleeringspropfen, ¼"RG
105	600-67830	1	S5 Tilførselspumpe	S5 Fuel lift pump	S5 Förderpumpe
107	212-09293	1	Studs for indsprøjtningpumpe	Injection pump inlet 8 mm	Stutzen für Einspritzpumpe
109	202-07358-F	1	Lækolierør, ø8	Fuel leak off pipe ø8	Leckölrohr, ø8
112	217-99303	1	M8x50 Bolt	M8x50 Bolt	M8x50 Bolzen
114	217-99296	1	M8 selvlåsende møtrik	M8 Nyloc Z&Y	M8 Selbstver. Mutter
115	202-07358-E	1	Lækolierør, ø8	Fuel leak off pipe, ø8	Leckölrohr, ø8
116	202-07358-D	1	Lækolierør, ø8	Fuel leak off pipe, ø8	Leckölrohr, ø8
117	202-01460	1	Brændstoffblok	Fuel block	Brennstoffblock
119	202-07358-C	1	Lækolierør, ø5	Fuel leak off pipe, ø5	Leckölrohr, ø5
120	217-99276	4	M6 Spændeskive	M6 Flat washer	M6 Unterlegscheibe
123	202-07358-A	1	Lækolierør, ø5	Fuel leak off pipe, ø5	Leckölrohr, ø5
125	217-99275	5	M6 Fjederskive	M6 Spring washer	M6 Federscheibe
126	217-99284	2	Sætskrue, M6x35	M6x35 Set Z&Y	Setzschraube, M6x35
127	217-99299	4	Maskinskrue M8x25	M8x25 Screw	Sechskantschraube M8x25
133	217-00052	1	M6 Møtrik	M6 Nut	M6 Mutter
134	217-99282	2	Sætskrue, M6x25	M6x25 Set Z&Y	Setzschraube, M6x25
144	217-99293	6	M8 Spændeskive	M8 Flat washer	M8 Unterlegscheibe



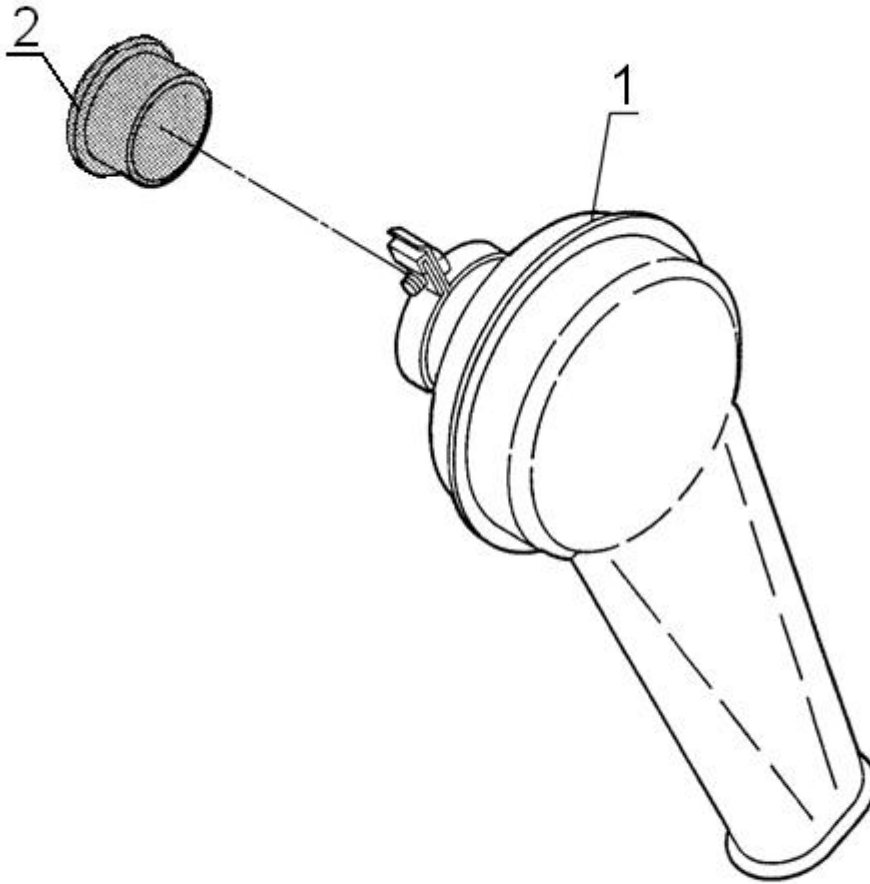
Brændstofforbindelser
Fuel connections
Brennstoffverbindungen

Pos.	Part No.	Qty.	Beskrivelse	Description	Benennung
160	600-80290	1	Brændstoffiltertop	Fuel filter head	Brennstoffilterdeckel
161	211-60210	1	Brændstoffilterelement	Fuel filter element	Brennstoffilterelement
164	600-80290	1	Udluftningsskrue	Fuel bleed screw	Lüftungsschraube
165	212-97110	1	Nippel MC108	Equal ended coupling MC108	Nippel MC108
166	212-00135	9	Profiling MUR108, ø8	Compression olive MUR108, ø8	Profil Ring MUR108, ø8
167	212-00135/N	9	Omløbermøtrik, ø8	Compression nut, ø8	Überwurfmutter, ø8
168	212-97119	1	Lige vinkel ME108	Equal elbow ME108	Grade Winkel ME108
169	212-97114	2	¼"BSPT Vinkel ME108/163	¼"BSPT Elbow ME108/163	¼"BSPT Winkel ME108/163
170	212-01653	1	¼"BSPT Nippel MC105/163	¼"BSPT Stud cpling MC105/163	¼"BSPT Nippel MC105/163
171*	212-00499	5	Profiling MUR105, ø5	Compression olive MUR105, ø5	Profil Ring MUR105, ø5
172*	212-00499/N	5	Omløbermøtrik, ø5	Compression nut, ø5	Überwurfmutter, ø5
174	212-97112	3	¼"BSPT Nippel MC108/163	¼"BSPT Stud cpling MC108/163	¼"BSPT Nippel MC108/163
175	217-99292	2	M8 Fjederskive	M8 Spring washer	M8 Federscheibe
176	212-97109	2	Nippel MC105	Equal ended coupling MC105	Nippel MC105
177	600-91802	2	Rørholder, rør 2	Clamp – fuel clamp, pipe 2	Rohrklemmen, Rohr 2
178	600-91801	2	Rørholder, rør 1	Clamp – fuel clamp, pipe 1	Rohrklemmen, Rohr 1
179	600-91803	2	Skrue & skive for rørholder	Fuel clamp screw & washer	Schraube & Scheibe für Rohrklemmen
181	217-99321	2	M10 Spændeskive	M10 Flat washer	M10 Unterlegscheibe
182	217-99320	2	M10 Fjederskive	M10 Spring washer	M10 Federscheibe
186	600-00305	1	S5 4CLY Lækolie samlerør	S5 4CLY Fuel leak off rail	S5 4CLY Leckölsammelrohr



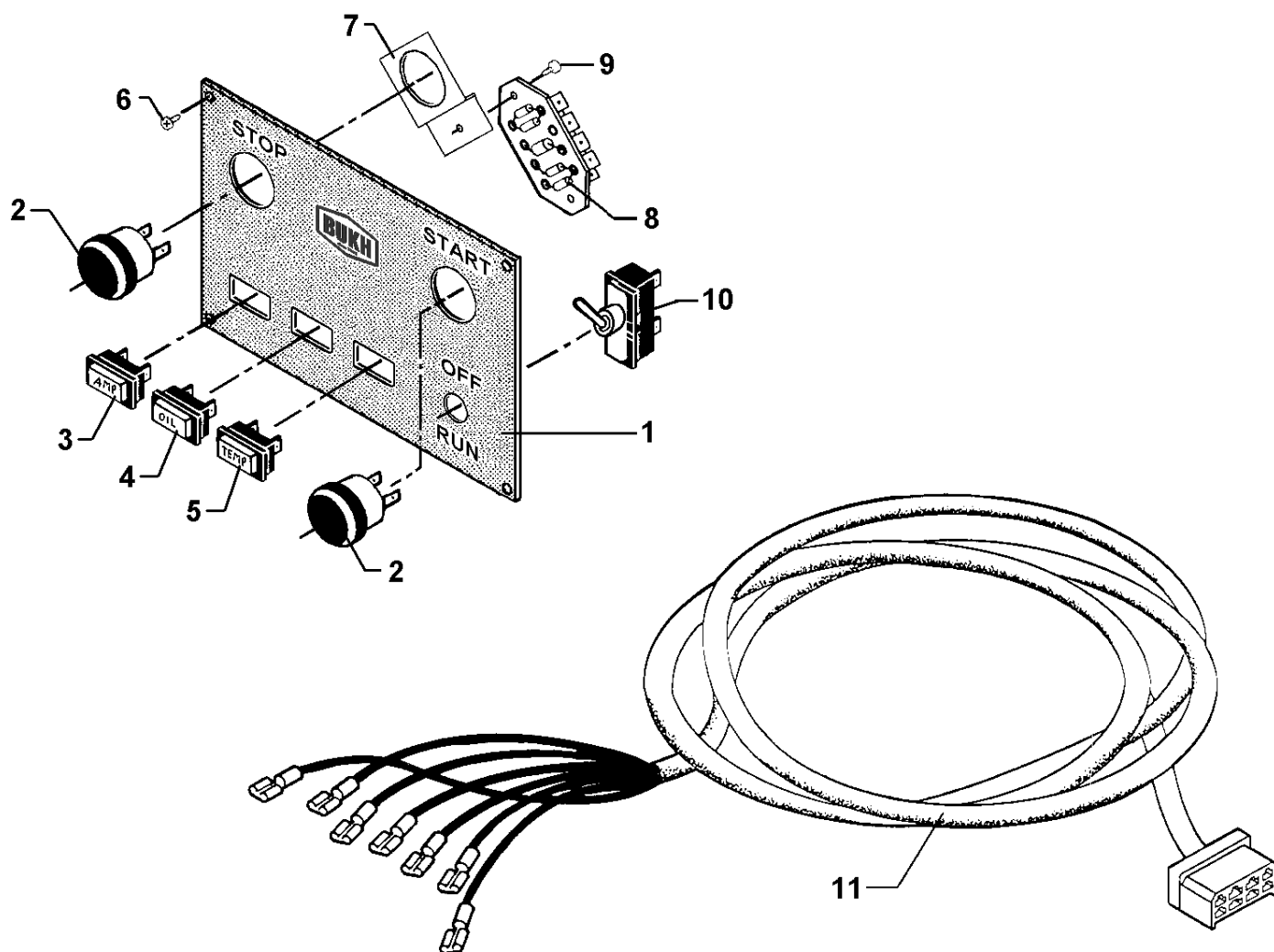
Elektrisk start og generator
Electric start and alternator
EI-Anlass und Generator

Pos.	Part No.	Qty.	Beskrivelse	Description	Benennung
1	600-00540	1	Startermotor	Starter motor	Anlasser
2	612H0570	1	Vekselstrømsgenerator	Alternator	Drehstromgenerator
3	000E2368	1	Justeringsarm	Ajusting lever	Justerungshebel
4	000E9643	1	Konsol	Bracket	Konsole
5	000E9644	1	Afstandsstykke	Distance piece	Abstandstück
6	500K2368	1	Bolt M8x40 DIN 931	Bolt M8x40 DIN 931	Bolzen M8x40 DIN 931
7	501A2427	1	Unbrakoskrue M10x90	Unbraco screw M10x90	Unbracoschraube M10x90
8	501A2424	1	Unbrakoskrue M10x60	Unbraco screw M10x60	Unbracoschraube M10x60
9	511A2208	1	Møtrik M8	Nut M8	Mutter M8
10	511A2209	1	Møtrik M10	Nut M10	Mutter M10
11	522C1223	1	Spændeskive	Washer	Federscheibe
12	600-00549	1	Fjederskive	Spring washer	Federscheibe
13	522E0527	1	Nord-lockskive	Nord-lock washer	Nord-lock Scheibe
14	542A0264	1	Kilerem	V-belt	Keilriemen



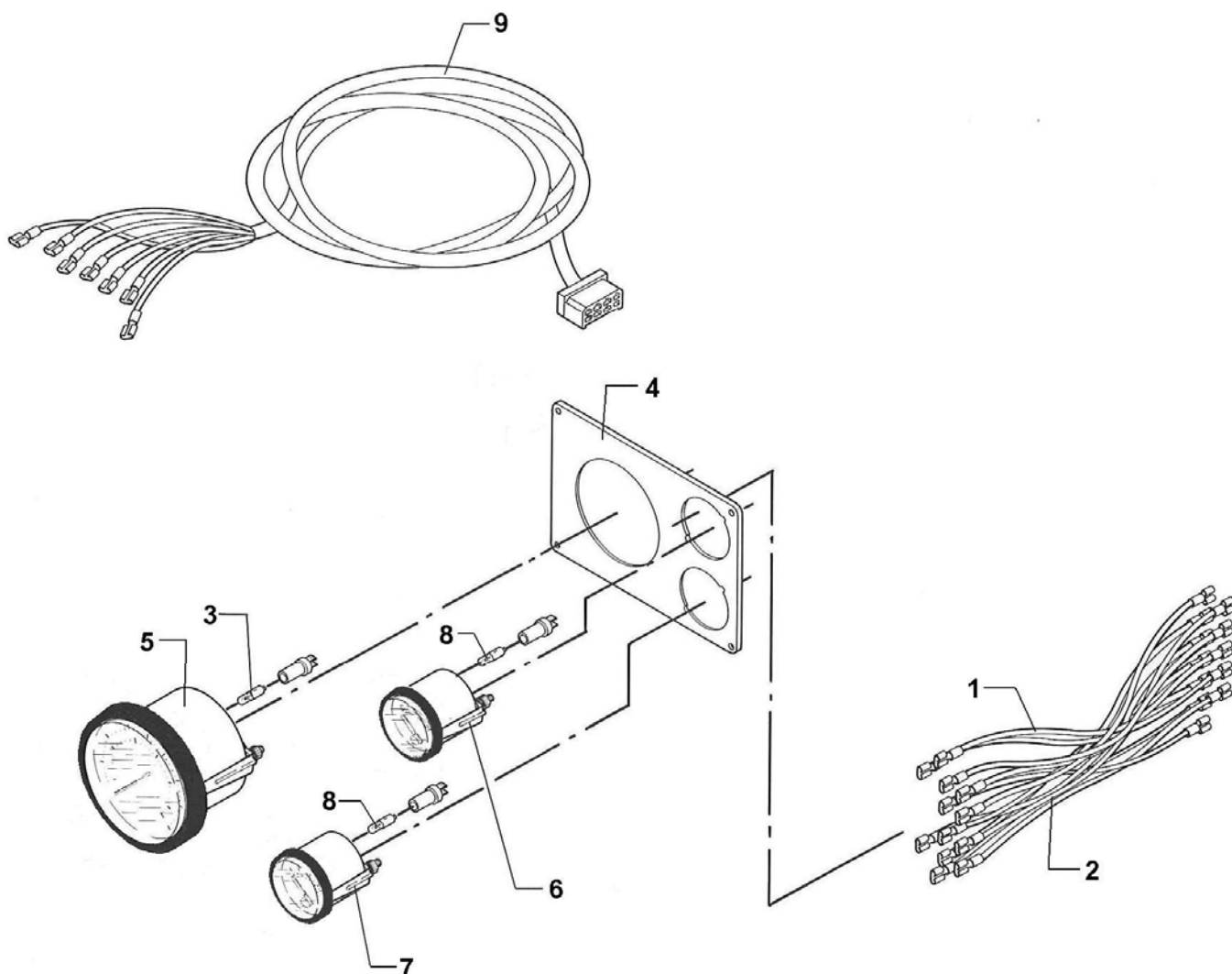
Luffilter
Air inlet filter
Luffilter

Pos.	Part No.	Qty.	Beskrivelse	Description	Benennung
1	008E7310	1	Luffilter	Air filter	Luffilter
2	000E9706	1	Afstandsbøsning	Distance bush	Distanzbuchse



Betjeningspanel
Control panel
Bedienungstafel

Pos.	Part No.	Qty.	Beskrivelse	Description	Benennung
1	000E9776	1	Betjeningspanel	Control panel	Bedienungstafel
2	552K0008	2	Trykknop	Push button	Druckknopf
3	552A0357	1	Kontrollampe Rød/AMP	Warning light Red/AMP	Kontrollampe Rot/AMP
4	552A0356	1	Kontrollampe Orange/OIL	Warning light Orange/OIL	Kontrollampe Orange/OIL
5	552A0355	1	Kontrollampe Grøn/TEMP	Warning light Green/TEMP	Kontrollampe Grün/TEMP
6	502M9330	4	Selvskærende skrue 3,5x16	Self-tapping screw 3.5x16	Selbstschneidende Schraube 3,5x16
7	000E9789	1	Vinkel	Bracket	Winkel
8	008E9694	1	Fordelerplade med summer	Distributor plate with buzzer	Verteilungsplatte mit Summer
9	502M9208	1	Selvskærende skrue 2,9x9,5	Self-tapping screw 2.9x9.5	Selbstschneidende Schraube 2,9x9,5
10	552K0211	1	Omskifter	Switch	Schalter
11	008E8819	1	Kabelbunt, 5,5 m	Bundle of cables, 5.5 m	Kabelbündel, 5,5 m
	020D2303	1	Forlænger kabel, 2 m (ikke ill.)	Extension cable, 2 m (not ill.)	Verlängerungskabel, 2 m (nicht ill.)
	008E9777	1	Betjeningspanel, komplet	Control panel, complete	Bedienungstafel, Komplet



**Instrumentpanel
Instrument panel
Instrumententafel**

Pos.	Part No.	Qty.	Beskrivelse	Description	Benennung
1	008E9054	3	Ledning, sort	Wire, black	Leitung, schwarz
2	008E9055	3	Ledning, rød	Wire, red	Leitung, rot
3	552A1510	2	Lampe for omdrejningstæller	Light for tachometer	Lampe für Tachometer
4	000E4554	1	Instrumentpanel	Instrument panel	Instrumententafel
5	552J0920	1	Omdrejningstæller	Tachometer	Tachometer
6	552J1006	1	Kølevandstermometer	Water temperature gauge	Kühlwasserthermometer
7	552J1007	1	Olietryksmanometer	Oil pressure gauge	Schmierölmanometer
8	552A1520	2	Lampe for termo/manometer	Light for temp/pressure gauge	Lampe für Thermo/Manometer
9	*)	1	Kabelbundt, 5,5 m	Bundle of cables, 5,5 m	Kabelbündle, 5,5 m
	020D2303	1	Forlænger kabel, 2 m (ikke ill.)	Extension cable, 2 m (not ill.)	Verlängerungskabel, 2 m (nicht ill.)
	020D2166	1	Instrumentpanel, komplet	Instrument panel, complete	Instrumententafel, Komplett

*) Kan kun leveres som komplet panel

*) Only available as complete panel

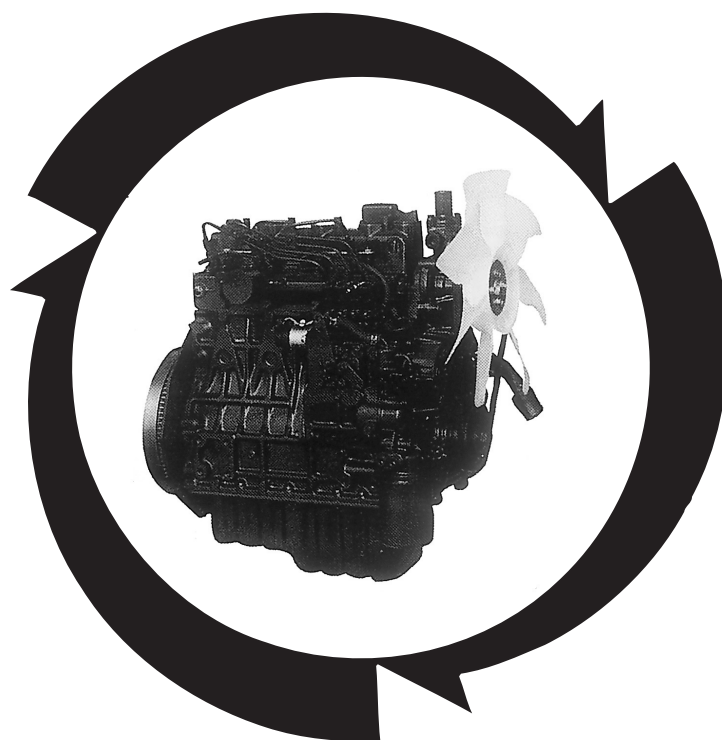
*) Nur als Komplett Tafel lieferbar

ILLUSTRATED PARTS LIST

KUBOTA

MODEL V1505-E2B-BTM-1

DIESEL ENGINE



Kubota

978T8-68360
OCT. 2005

NOTICE

This Parts List is for the following purposes.

1. When ordering parts, check with this Parts List to confirm the part number and the name of parts.
2. When making repairs, refer to the illustrations in this Parts List.
3. This Parts List is subject to change without notice.

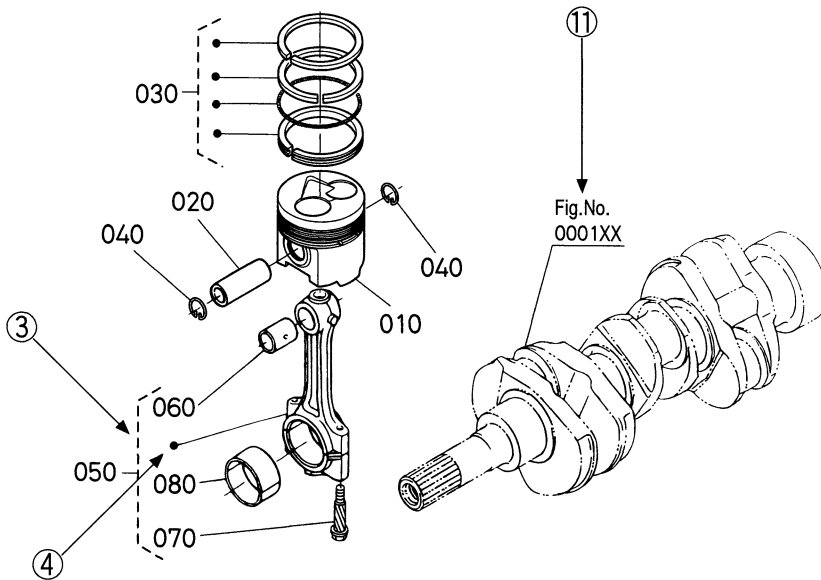
MODEL	CODE No.
V1505-E2B-BTM-1	1G994-51000

INSTRUCTIONS

① 0102 PISTON AND CRANKSHAFT

②
[B]

⑩ → S.No. ; A: ≤15000, B: 14000 to 15000



REF. No	PART No.	PART NAME	Q'TY/S.No.		I.C.	REMARKS
			A	B		
010	15800-0000-0	PISTON	1 ≤15000	1 ≤15000		[Example-1]
010	15800-0000-2	PISTON	1 >=15001	1 >=15001		←
020	15800-1000-0	PIN,PISTON	1 ≤15000	1 ≤15000		
020	15800-1000-2	PIN,PISTON	1 >=15001	1 >=15001		≠ ← [Example-2]
030	15800-2000-0	ASSY PISTON RING	1 ≤15000	1 ≤15000		
030	15830-2000-0	ASSY PISTON RING	1 >=15001	1 >=15001		↔ [Example-3]

A:XXXXX, B:XXXXX

- ① Fig. No. Represents No. corresponding to each group name.
- ② Specifications The types and destinations of sister models are indicated. These indications are given to tell their relevant pages in this book.
- ③ Components The components of an assembly are identified by a bracket of dotted lines.
- ④ Point Indicates that the parts is not sold independently.
The assembly (Ref.No.050) containing the part needs to be ordered.
- ⑤ REF. No. Reference numbers are assigned to parts in the illustration.The code number of a part in the illustration can be identified by referring to the same reference number in the parts list.
- ⑥ Model name The name of the basic model is indicated in this column. Other applicable models are indicated on the "REMARKS" column ⑨.
- ⑦ S. No. Indicates a group of serial numbers to which a design change is applied.
(serial No.)

Engine Serial No. .. Old Serial No.

654321 ... 6 digits all in numerals.

New Serial No.

Y A 4321

↑ Lower 4 digits in numerals.
↑ 5th digit ... Alphabetical letter (Month of manufacture).

Alphabetical letter	A,B	C,D	E,F	G,H	J,K	L,M	N,P	Q,R	S,T	U,V	W,X	Y,Z
Month	1	2	3	4	5	6	7	8	9	10	11	12

↑ 6th digit ... Alphabetical letter or numerals (Year of manufacture).

Alphabetical letter or numerals	W	X	Y	1	2	3	4	5	6	7	8	9	A	B	C
Year	'98	'99	2000	'01	'02	'03	'04	'05	'06	'07	'08	'09	'10	'11	'12

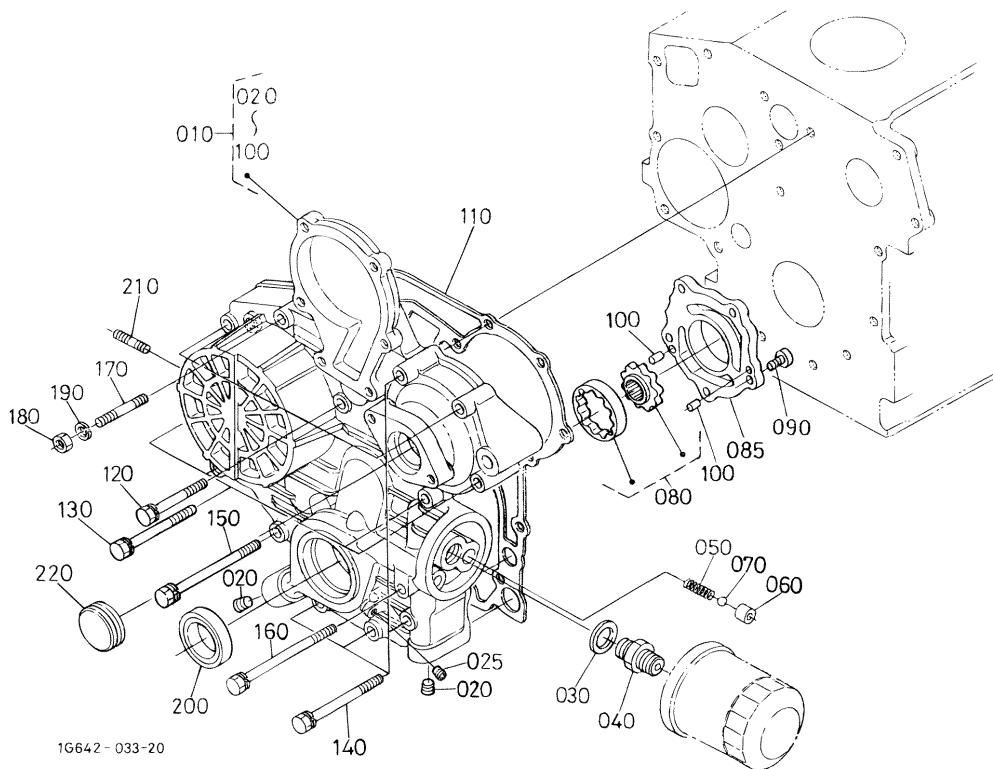
- ⑧ I. C. Indicates the interchangeability of parts due to design change.
(interchangeability)
Example-1 ← indicates that a new part can replace an old part, but not vice versa.
15800-0000-0 is applicable to the first serial number to S. No. 15000.
15800-0000-2 is applicable to the first serial number and above.
Example-2 ≠ indicates that the new and old parts are not interchangeable.
15800-1000-0 is applicable to the first serial number to S. No. 15000.
15800-1000-2 is applicable to S. No. 15001 and above.
Example-3 ↔ indicates that the new and old parts are interchangeable. Both 15800-2000-0 and 15830-2000-0 are applicable to the first serial number and above.
- ⑨ REMARKS 1 In this column, enter other applicable model names, dimensions and other special items. The following symbols and abbreviations are used throughout this book.
29*12.00-15 ... Tire size sq.m m² sq.mm mm²
cu.m m³ cu.mm ... mm³ D ... Diameter L ... Length
- ⑩ REMARKS 2 The following expressions are used in NOTE for each group.
Machines' serial numbers are indicated as follows.
<=15000 Serial number below 15000.
>=15001 Serial number above 15001.
14000 to 15000 Serial number 14000 to 15000.
For some models, the above expressions may also be used REMARKS 1 ⑨.
- ⑪ Fig. No. Indicates the numbers of figures for the parts that are shown in virtual images.
(virtual images) A figure number with XX means that there are two or more figures depending on the sister models.

CONTENTS

[V1505-E2B-BTM-1]

0001	CRANKCASE	1
0002	OIL PAN	2
0003	CYLINDER HEAD	3
0004	GEAR CASE	4
0005	HEAD COVER	5
0006	OIL FILTER	6
0007	DIPSTICK AND GUIDE	7
0100	MAIN BEARING CASE	8
0101	CAMSHAFT AND IDLE GEAR SHAFT	9
0102	PISTON AND CRANKSHAFT	10
0103	FLYWHEEL	12
0105	FUEL CAMSHAFT AND GOVERNOR SHAFT	13
0180	IDLE APPARATUS	14
0201	STOP SOLENOID	15
0202	INJECTION PUMP	16
0205	SPEED CONTROL PLATE	17
0206	NOZZLE HOLDER AND GLOW PLUG	18
0207	NOZZLE HOLDER (COMPONENT PARTS)	19
0212	FORK LEVER (GOVERNOR)	20
0300	FUEL FILTER	21
0301	FUEL PUMP (MECHANICAL)	22
0402	ALTERNATOR AND PULLEY	23
0404	STARTER	24
0405	STARTER (COMPONENT PARTS)	25
0406	OIL SWITCH/THERMOMETER AND PLUG	26
0500	WATER FLANGE AND THERMOSTAT	27
0501	WATER PUMP	28
0503	WATER PIPE	29
0504	FAN	30
0600	VALVE AND ROCKER ARM	31
0601	INLET MANIFOLD	32
0602	EXHAUST MANIFOLD	33
0700	HYDRAULIC PUMP	34
0801	STARTER SWITCH	35
0809	LABEL AND OPERATOR'S MANUAL	36
090001	GASKET KIT (OPTION)	37
090002	GASKET KIT (OPTION)	38
0901	METAL KIT (OPTION)	39
0903	PISTON KIT (OPTION)	40
■	NUMERICAL INDEX	41

0004 GEAR CASE



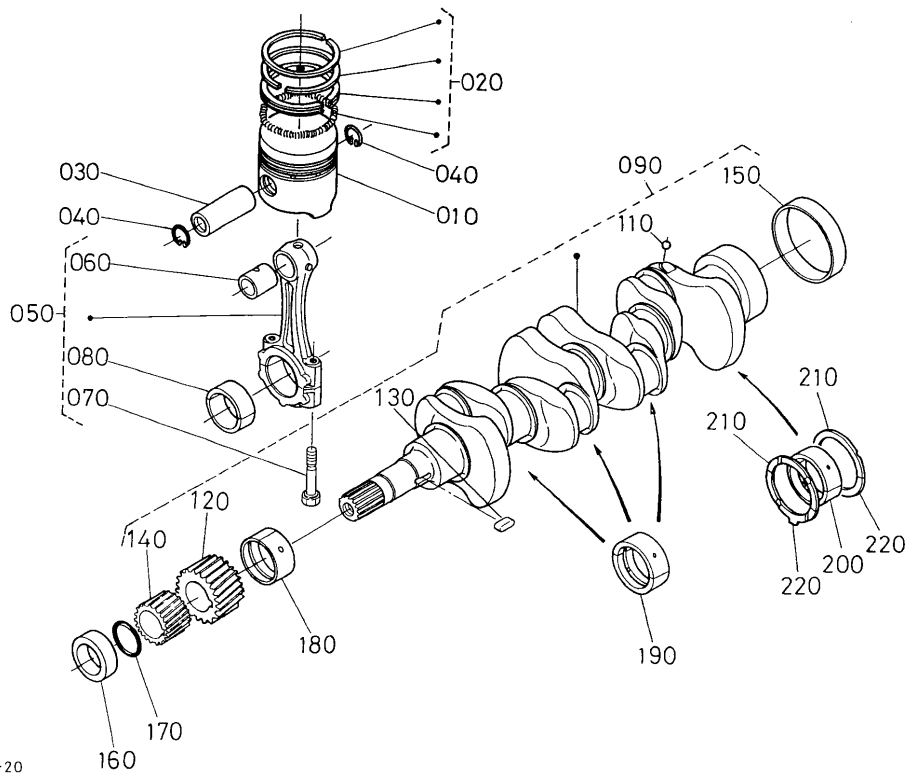
16642-033-20

A:V1505-E2B-BTM-1

REF. No.	PART No.	PART NAME	Q' TY/S. No.		I. C.	REMARKS
			A	B		
010	16252-0402-2	COMP. CASE, GEAR	1	-		
020	16241-9602-0	PLUG	2	-		
025	15521-9602-0	PLUG	1	-		
030	04011-50180	WASHER, PLAIN	1	-		
040	15241-3229-0	JOINT, PIPE	1	-		
050	16241-3695-0	SPRING	1	-		
060	16241-3693-0	SEAT, VALVE	1	-		
070	07715-00201	BALL	1	-		
080	16241-3507-0	ASSY ROTOR, OIL PUMP	1	-		
085	16251-3513-0	COVER, OIL PUMP	1	-		
090	03017-50620	SCREW, CR-REC-BD-HD	5	-		
100	05012-00410	PIN, STRAIGHT	2	-		
110	16264-0413-0	GASKET, GEAR CASE	1	-		
120	01023-50645	BOLT	3	-		
130	01023-60650	BOLT	4	-		
140	01023-50655	BOLT	4	-		
150	01023-50665	BOLT	1	-		
160	16241-9104-0	BOLT	1	-		
170	16245-9153-0	STUD	1	-		
180	02056-50060	NUT	1	-		
190	04512-60060	WASHER, SPRING	1	-		
200	16241-0421-2	SEAL, OIL	1	-		
210	16245-9154-0	STUD	2	-		
220	16264-8334-2	COVER, GEAR CASE	1	-		

↔ Interchangeable; ≠ not interchangeable; ← new for old; → old for new

0102 PISTON AND CRANKSHAFT



A:V1505-E2B-BTM-1

REF. No.	PART No.	PART NAME	Q' TY/S. No.		I. C.	REMARKS
			A	B		
010	16060-2111-4	PISTON	4	-	STD	
010	16060-2191-4	PISTON	4	-	+0.50mm	
020	16292-2105-0	ASSY PISTON RING	4	-	STD	
020	16292-2109-0	ASSY PISTON RING	4	-	+0.50mm	
030	16241-2131-0	PIN, PISTON	4	-		
040	16241-2133-0	CIR CLIP, PISTON PIN	8	-		
050	16241-2201-2	ASSY ROD, CONNECTING	4	-		
060	16241-2198-2	BUSH, PISTON PIN	4	-		
070	16241-2214-2	BOLT, CONNECTING ROD	8	-		
080	16241-2231-0	METAL, CRANKPIN	4	-	STD SET	
080	16241-2297-0	METAL, CRANKPIN	4	-	-0.20mm SET	
080	16241-2298-0	METAL, CRANKPIN	4	-	-0.40mm SET	
090	16282-2301-3	COMP. CRANKSHAFT	1	-		
100	----	BLANK	-	-		
110	07715-00401	BALL	4	-		
120	16241-2411-0	GEAR, CRANK	1	-		
130	16271-9523-0	KEY	1	-		
140	16241-3563-0	GEAR, OIL PUMP DRIVE	1	-		
150	16241-2328-0	SLEEVE, CRANKSHAFT	1	-		
160	16241-2325-0	COLLAR, CRANKSHAFT	1	-		
170	04814-10280	RING	1	-		
180	16241-2347-0	METAL, CRANKSHAFT	1	-	STD	
180	16241-2391-0	METAL, CRANKSHAFT	1	-	-0.20mm	
180	16241-2392-0	METAL, CRANKSHAFT	1	-	-0.40mm	
190	16241-2348-0	METAL, CRANKSHAFT	3	-	STD SET	
190	16241-2393-0	METAL, CRANKSHAFT	3	-	-0.20mm SET	
190	16241-2394-0	METAL, CRANKSHAFT	3	-	-0.40mm SET	
200	16292-2349-0	METAL, CRANKSHAFT	1	-	STD SET	
200	16292-2386-0	METAL, CRANKSHAFT	1	-	-0.20mm SET	
200	16292-2387-0	METAL, CRANKSHAFT	1	-	-0.40mm SET	

↔ Interchangeable; ≠ not interchangeable; ← new for old; → old for new

NUMERICAL INDEX

PART No.	PAGE	REF. No.	PART No.	PAGE	REF. No.	PART No.	PAGE	REF. No.	PART No.	PAGE	REF. No.
E9151-3314-0.....5...060			07715-00201.....4...070			15841-5385-0....18...120			16241-0409-2.....8...010		
01023-50610.....31...090			07715-00401.....10...110			15841-5386-0....18...130			16241-0421-2.....4...200		
01023-50614.....20...100			07715-03205.....20...046			15841-7302-0....1...220			38...150		
01023-50616.....9...080			09318-88150.....5...090			15841-9150-0....16...080			16241-0454-0.....8...020		
9...160			11173-6313-0....25...240			15841-9202-0....14...030			8...095		
13...110			11460-6307-0....25...030			15841-9232-0....16...090			8...120		
17...140			11460-6308-0....25...020			15841-9402-2....31...160			8...140		
23...020			11460-6311-0....25...070			15841-9602-0....26...020			16241-0456-0.....8...100		
27...060			11460-6312-0....25...190			15841-9665-0....16...120			16241-0462-0....12...040		
01023-50618.....13...070			11460-6327-0....25...080			15841-9666-0....16...140			16241-0481-3.....8...040		
01023-50618.....32...040			11460-6332-0....25...180			15852-9233-0....14...040			16241-0555-0....32...020		
01023-50620.....8...080			11460-6339-0....25...120			14...090			16241-1182-0....32...030		
01023-50625.....8...070			11460-6350-0....25...040			15951-9666-0....5...050			37...040		
01023-50630.....28...080			11460-6353-0....25...050			37...100			16241-1311-5.....31...010		
32...050			11460-9331-0....25...160			15952-9233-0....5...040			16241-1312-6.....31...020		
01023-50645.....4...120			11470-6338-0....25...110			16030-5132-0....16...110			16241-1328-0....31...070		
01023-50655.....4...140			13963-9201-0....25...220			16032-5316-0....19...060			16241-1403-2....31...190		
27...070			14911-4275-0....16...030			16032-5317-0....19...040			16241-1423-0....31...200		
01023-50665.....4...150			14971-4275-0....18...050			16032-5323-0....19...030			16241-1424-0....31...210		
01023-50685.....28...090			15021-3366-0....1...200			16032-5328-0....19...070			16241-1426-4....31...080		
01023-60650.....4...130			15221-0349-0....1...030			16032-5335-0....19...050			16241-1431-0....31...170		
32...060			15221-3361-0....1...190			16032-9203-0....19...020			16241-1435-0....31...100		
01053-50618.....17...150			15231-3396-0....1...130			16032-9404-0....19...080			16241-1441-0....31...110		
01123-50830.....24...020			15241-3229-0....4...040			16032-9810-0....19...100			16241-1443-0....31...150		
01123-50835.....27...150			15261-0337-0....3...090			16032-9850-0....19...110			16241-1452-0....5...020		
01123-60814.....3...030			15261-1336-0....31...050			16032-9851-0....19...110			37...030		
7...040			15261-9119-0....12...050			16032-9852-0....19...110			16241-1511-0....9...020		
01123-60816.....2...070			15261-9201-0....31...120			16032-9853-0....19...110			16241-1627-0....9...070		
01311-10614.....15...030			15261-9401-0....31...130			16032-9854-0....19...110			16241-1632-0....13...100		
01311-10620.....16...070			15261-9601-0....1...040			16032-9855-0....19...110			16241-1651-0....9...050		
01754-50610.....30...020			15261-9601-0....3...060			16032-9856-0....19...110			16241-2131-0....10...030		
01774-51030.....21...040			15263-1237-0....33...030			16032-9857-0....19...110			40...040		
02056-50060.....4...180			37...050			16032-9858-0....19...110			16241-2133-0....10...040		
17...180			15321-9626-0....3...050			16032-9859-0....19...110			40...050		
22...030			15451-9627-0....1...020			16040-1617-0....13...010			16241-2198-2....10...060		
02761-50040.....18...170			15471-5798-0....17...100			16040-5209-2....16...050			40...060		
03017-50620.....4...090			15511-6376-0....25...140			16040-5211-2....16...050			16241-2201-2....10...050		
03024-50510.....5...130			15511-9666-0....25...200			16040-5212-2....16...060			16241-2214-2....10...070		
03024-50520.....18...140			15521-2353-0....11...210			16060-2111-4....10...010			16241-2231-0....10...080		
04011-50180.....4...030			39...060			40...020			39...030		
04512-60060.....4...190			15521-2395-0....11...210			16060-2191-4....10...010			16241-2297-0....10...080		
15...040			39...060			40...020			39...030		
16...100			15521-2396-0....11...210			16060-5101-0....16...040			16241-2298-0....10...080		
17...190			39...060			16060-5423-0....20...044			39...030		
22...040			15521-9361-0....9...040			16219-7326-0....27...130			16241-2325-0....10...160		
04724-00100.....37...110			15521-9602-0....1...070			16221-5628-0....1...160			16241-2328-0....10...150		
04724-00120.....37...130			4...025			16221-7327-0....27...140			16241-2347-0....10...180		
04814-00090.....7...030			15601-9665-0....14...050			33...040			39...020		
04814-00100.....17...040			14...100			37...080			16241-2348-0....10...190		
04814-00160.....2...080			17...160			16221-9112-0....2...030			39...040		
04814-10280.....10...170			15601-9665-0....18...030			16221-9452-0....1...120			16241-2391-0....10...180		
04814-50300.....5...070			38...110			16222-5751-0....17...110			39...020		
37...090			15841-3901-0....26...010			16222-7284-0....27...110			16241-2392-0....10...180		
05012-00410.....4...100			15841-4250-0....18...040			16222-8304-0....27...100			39...020		
05012-00508.....1...100			15841-4252-0....18...045			16226-3211-4....2...060			16241-2393-0....10...190		
05012-00814.....1...110			15841-5135-0....16...130			16239-7343-0....28...070			39...040		
05411-00420.....17...050			15841-5136-0....18...020			38...080			16241-2394-0....10...190		
05411-00428.....31...140			15841-5362-2....18...070			16241-0175-0....3...010			39...040		
05712-00518.....9...060			19...120			16241-0177-0....3...020			16241-2411-0....10...120		
06311-55030.....27...030			38...140			16241-0345-0....3...120			16241-2425-0....9...150		

NUMERICAL INDEX

PART No.	PAGE	REF. No.	PART No.	PAGE	REF. No.	PART No.	PAGE	REF. No.	PART No.	PAGE	REF. No.
16241-2432-0.....9...140			16261-1555-0.....9...010			16285-6301-0.....24...010			1G032-5613-0.....20...040		
16241-2436-0.....9...120			16261-9671-0.....27...040			25...010			1G032-5615-0.....20...050		
16241-2437-0.....9...130			16261-9730-0.....13...020			16285-6302-0.....25...130			1G032-5647-0.....20...060		
16241-2516-0.....12...030			16261-9731-0.....13...030			16285-6303-0.....25...090			1G065-5361-0.....19...090		
16241-3365-0.....1...140			16261-9732-0.....13...220			16285-6304-0.....25...060			1G065-5390-0.....18...060		
16241-3507-0.....4...080			16264-0413-0.....4...110			16285-6320-0.....25...100			19...010		
16241-3563-0.....10...140			38...030			16285-6357-0.....25...210			1G069-2177-4.....40...010		
16241-3693-0.....4...060			16264-0436-0.....8...030			16285-9201-0.....25...230			1G069-2179-4.....40...010		
16241-3695-0.....4...050			38...040			16285-9805-0.....25...250			1G069-5601-3.....20...030		
16241-4201-0.....16...020			16264-0482-0.....8...060			16286-3375-0.....2...040			1G072-1450-4.....5...010		
16241-5111-3.....13...050			16264-0482-0.....38...050			16292-2105-0.....10...020			1G090-2375-3.....39...010		
16241-5119-0.....13...060			16264-5214-0.....22...020			40...030			1G090-2376-3.....39...010		
16241-5412-2.....14...070			38...060			16292-2109-0.....10...020			1G090-2377-3.....39...010		
16241-5506-2.....13...170			16264-5721-0.....17...130			40...030			1G092-0304-0.....3...040		
16241-5526-0.....13...180			38...070			16292-2349-0.....10...200			1G511-8981-4.....36...010		
16241-5527-0.....13...160			16264-7292-0.....27...050			39...050			1G513-3655-0.....7...050		
16241-5539-2.....13...140			37...070			16292-2386-0.....10...200			1G642-7305-0.....28...040		
16241-5545-0.....13...200			16264-8315-3.....34...010			39...050			1G680-7287-0.....29...020		
16241-5546-3.....13...210			16264-8334-2.....4...220			16292-2387-0.....10...200			1G698-0101-0.....1...010		
16241-5555-4.....13...240			16264-8813-0.....38...100			39...050			1G801-0512-0.....5...120		
16241-5621-0.....20...110			16265-9667-0.....2...050			16299-1236-0.....33...010			1G911-0520-3.....5...110		
16241-5625-0.....20...080			38...130			37...060			1G986-9936-2.....38...010		
16241-5633-0.....20...070			16271-0345-0.....3...130			16299-5626-0.....20...090			1G994-9935-0.....37...010		
16241-5634-0.....20...120			16271-1324-0.....31...030			38...090			36200-8272-0.....29...030		
16241-5716-0.....17...030			16271-1691-0.....9...030			16299-5701-5.....17...010			66706-5512-0.....35...010		
16241-6442-0.....23...010			16271-2401-0.....9...100			16394-0331-0.....3...140			66706-5515-0.....35...040		
16241-7334-0.....28...060			16271-2498-0.....9...110			37...020			66711-5513-0.....35...020		
16241-7335-0.....27...080			16271-3209-2.....6...010			16611-3641-3.....7...010			66711-5524-0.....35...030		
16241-7336-0.....27...090			16271-4250-2.....18...010			16614-2501-2.....12...010			6C090-5896-0.....38...120		
16241-7337-0.....27...020			16271-5371-2.....18...080			16631-4356-0.....21...030					
16241-7425-0.....30...010			16271-5372-2.....18...090			16683-9602-0.....1...050					
16241-9102-0.....23...050			16271-5373-2.....18...100			16697-1619-0.....9...090					
16241-9104-0.....4...160			16271-5374-2.....18...110			16813-6382-0.....12...020					
16241-9149-0.....33...020			16271-5531-3.....13...130			16851-6551-2.....18...150					
16241-9202-0.....17...070			16271-5535-0.....1...180			17203-7286-0.....29...010					
16241-9233-0.....13...080			16271-5541-0.....13...230			17331-7334-2.....5...140					
16241-9402-0.....17...060			16271-5602-3.....17...080			17391-9616-0.....1...080					
16241-9523-0.....13...090			16271-5621-4.....20...048			19008-7270-0.....27...010					
16241-9569-0.....16...010			16271-5648-0.....20...010			19077-5365-0.....18...075					
16241-9601-0.....1...060			16271-5715-0.....17...020			19...130					
16241-9602-0.....4...020			16271-5772-0.....17...090			19202-2354-0.....11...220					
16241-9626-2.....1...150			16271-5774-0.....17...120			39...070					
16245-9153-0.....4...170			16271-6001-2.....15...010			19202-2397-0.....11...220					
16245-9154-0.....4...210			16271-6556-0.....18...160			39...070					
17...170			16271-9523-0.....10...130			19202-2398-0.....11...220					
16249-7428-0.....23...040			16271-9616-0.....1...090			39...070					
16251-3513-0.....4...085			16272-5115-0.....13...040			19212-6310-0.....25...150					
16251-7303-4.....28...010			16282-0406-0.....8...130			19212-9713-0.....25...170					
16252-0163-0.....38...020			16282-2301-3.....10...090			19434-7301-4.....27...120					
16252-0402-2.....4...010			16282-3650-0.....7...020			19484-5544-0.....13...190					
16259-0558-0.....5...100			16282-5501-3.....13...120			19484-5544-0.....20...042					
16259-1177-2.....32...010			16282-5532-0.....13...150			1C010-1315-0.....31...060					
16259-7351-2.....28...050			16282-9601-0.....1...170			37...120					
16259-7352-0.....28...020			16285-0166-0.....2...010			37...140					
16259-7355-2.....28...030			16285-0446-0.....8...050			1C011-4301-3.....21...010					
16261-0404-0.....8...090			38...160			1C011-4333-0.....21...020					
16261-0405-0.....8...110			16285-5203-2.....22...010			1G021-9665-0.....14...110					
16261-1333-0.....31...040			16285-5409-3.....14...010			1G031-5421-0.....14...080					
16261-1354-0.....3...070			16285-5410-3.....14...020			1G032-0537-0.....5...030					
16261-1356-0.....3...080			16285-5641-2.....20...020			1G032-0551-0.....5...080					

PIES.No.		EDK0000942
BLOCK No.	LINE No.	A (1)
01	01	1G994-51000 V1505-E2B-BTM-1

KUBOTA

THE BASIC NECESSITIES GIANT

"Technology for the Needs of Tomorrow" is the ambition of everyone at KUBOTA. Through research and the development of new products for agriculture, industry, construction, and many other areas of modern life, we at KUBOTA hope to realize this goal.